



Section - 8

26.52.01 Emergency Lighting

WESCAN
ELECTRICAL MECHANICAL SERVICES



WESCAN

SUBMITTAL SHEET

12/15/10

GENERAL CONTRACTOR
PCL CONSTRUCTORS CANADA
1540 GAMBLE PLACE
WINNIPEG, MANITOBA
ATTENTION: Jeff McKay

PROJECT: Rapid Transit
WESCAN'S JOB NO: E779

REFER TO
ITEM: Emergency Lighting
SHOP DRAWING: Emergency Lighting
Equipment & Exits

CONTRACTORS STAMP

REVIEWED
REVIEWED AS NOTED

This review is for the sole purpose of ascertaining conformance with the general design concept and shall not relieve the supplier from his responsibility for errors or omissions in the shop drawings or his responsibility for meeting all requirements of the contract documents and purchase order.

WESCAN ELECTRICAL MECHANICAL SERVICES

DATE: 12/15/2010

PER: DOUG LAGIMODIERE

APPROVAL STAMPS TO BE PLACED HERE

Engineer's Stamp

Architect's Stamp

General Contractor's Stamp

REVIEWED
In accordance with the requirements of the
prime contract

Per: Jeff McKay at 8:26 am, Dec 15, 2010
(PCL Constructors Canada Inc)
 Review Completed Revisions Required



Wesco Distribution – Canada, Inc.
1099 King Edward Street
Winnipeg, MB R3H 0R3
Phone: (204) 633-3000.

Wescan Electrical
C/o Rapid Transit Corridor

PO:E779-104222

10 – Aimlite
RMQV2 2420WQ WHT

RAPID TRANSIT CORRIDOR

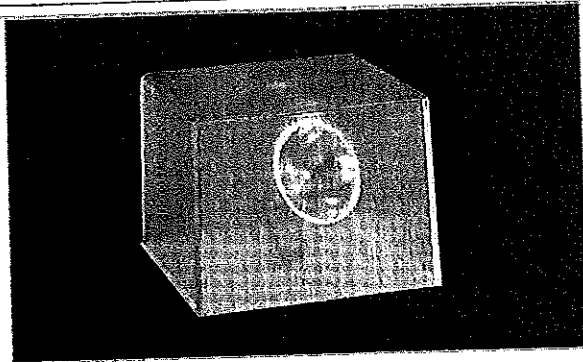
Project:
Contractor:

AimLite

RMQV

VANDAL REMOTE

- Single Lexan Cube
- Internal PAR18 Assembly
- 6V, 12V, & 24V Lamps In Quartz Halogen



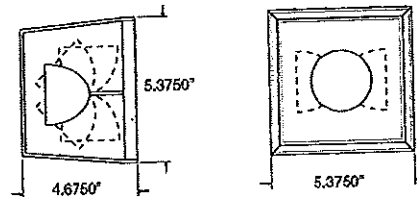
DESCRIPTION

The RMQV series of vandal resistant remotes provide reliable emergency lighting in applications typically prone to abuse and tampering. The internal, fully adjustable, single or double PAR18 lamp assembly is completely shielded by the heavy-duty Lexan cube. The one-piece, molded cube is internally finished with an anti-glare texturing. A steel mounting plate provides a solid base for the entire fixture. Available in 6V, 12V and 24V models, utilizing quartz halogen (bi-pin based) lamps.

MECHANICAL

- Heavy-duty, one piece, molded Lexan cube lamp assembly shields
- Upto two PAR18 small style, lamp assemblies per cube in a variety of lamp wattages
- Each individual lamp assembly is fully adjustable and aimable
- 20 Gauge steel mounting plate c/w stamped universal spider knockout pattern
- Mounting plate - white powder coat finish standard, other colours optional
- Variety of lamp options:
 - 6VDC, 12VDC or 24VDC
 - Quartz halogen lamps - bi-pin based

DIMENSIONS



LAMP SELECTION

	6 Volts	12 Volts	24 Volts
PAR18 - Small Heads			
Q	6W, 10W, 12W	8W, 10W, 12W	12W
T	7.2W, 9W	5.4W, 9W, 18W	9W, 18W
MR16 - Small Heads c/w MR16 Lamp			
Q/MR16	8W, 10W, 12W, 20W	8W, 10W, 12W, 20W	12W, 20W

Q = Quartz Halogen T = Tungsten Q/MR16 = Quartz MR16

ORDERING GUIDE

Series	Number	Voltage	Lamp(s)	Colour	Options
RMQV	1 - Single Lamp Assembly 2 - Double Lamp Assemblies	06 - 6 VDC 12 - 12 VDC 24 - 24VDC	(See lamp selection chart above) 20w a	WHT - White (standard) BLK - Black	WRG - Steel Wireguard VDR - Vandal Resistant Screws

Rmqv - 2 - 24 20w a - WHT

Remote Heads Industrial



Wesco Distribution – Canada, Inc.
1099 King Edward Street
Winnipeg, MB R3H 0R3
Phone: (204) 633-3000.

Wescan Electrical
C/o Rapid Transit Corridor

PO:E779-104222

2 – Aimplite
EBST24 550 2MW20WQ
WHT

RAPID TRANSIT CORRIDOR

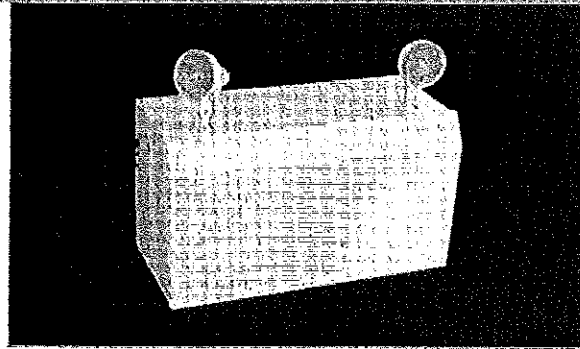
EBST

Project:
Contractor:

AimLite

STEEL BATTERY UNIT

- 6V, 12V or 24V Models
- 18-720 Watt Capacities
- Steel Construction
- 120/347VAC Input



EBST 24-550-2MW 20WQ - W FIT.

DESCRIPTION

The EBST series of commercial steel battery units are designed to provide efficient and reliable emergency lighting. Utilizing a sturdy, all steel housing, the EBST presents a modern and unobtrusive design. On higher capacity models, the cabinet front is sloped to allow better internal access and superior low angle light distribution. The EBST series is available in 6VDC, 12VDC and 24VDC versions in a range of wattage capacities between 18 and 720 watts, for 30 minutes duration. Units are typically supplied with two top mounted PAR18 or PAR36 type heads, however a wide range of head type, number and placement are available including MR16 type. The EBST can also accommodate a wide variety of options, including auto-testing self-diagnostics and remote testing.

MECHANICAL

- 120VAC line cord supplied standard
- Universal spider knockout pattern and keyhole mounting slots stamped into back of cabinet
- Multiple conduit entry knockouts
- White powder coat finish standard, other finishes and colours optional
- Lamp heads include PAR18 small style, PAR36 large style and die cast metal MR16 type
- Top head mounting is standard, side mount is optional

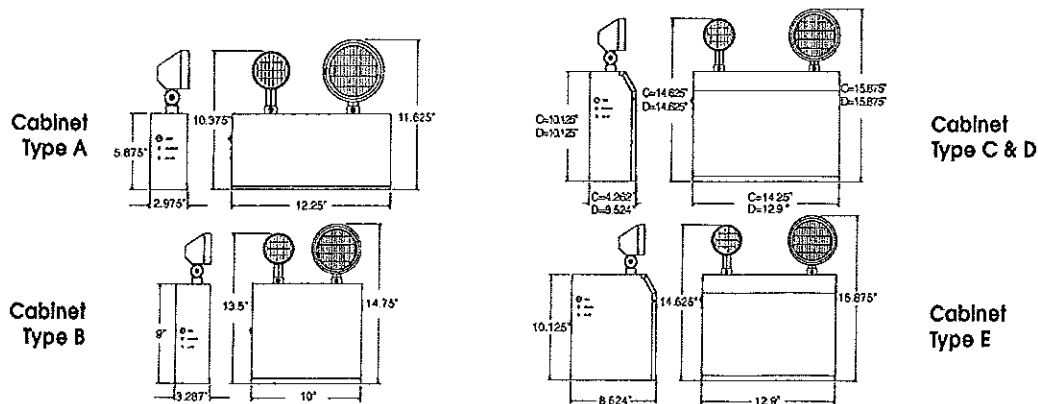
ELECTRICAL

- 120/347VAC 60Hz Input, field selectable
- High efficiency, rapid recovery, precision control charging system
- 6VDC, 12VDC or 24VDC emergency power output versions (as specified)
- Wattage capacities from 18 to 720 watts
- 30 Minutes emergency power duration standard
- Momentary push button test switch
- Diagnostic/pilot LEDs for AC ON and CHARGE
- Fully automatic, current limited charger
- Line latched, low voltage protection
- Solid state design and construction
- Brownout and short circuit protection
- Temperature compensated
- Large magnum terminal screw type connectors for remote load connection
- Complete battery recharge in 24 hours
- Maintenance free, sealed lead acid battery
- Optional automatic-testing, self-diagnostic charger board:
 - Continuously monitors the operational status of the battery unit
 - Automatically performs battery and lamp load testing at preset intervals
 - Indicates any component malfunctions or automated test failures

APPROVALS

- CSA C22.2 No. 141 Performance Certified

DIMENSIONS



Battery units Commercial, architectural

Project: _____
Contractor: _____

ORDERING GUIDE

Series	Voltage	Capacity	Head No. & Type	Lamp	Colour	Options	* Specify AC input voltage
EBST	06- 6VDC	(See model ratings table below)	0 - No Heads	(See lamp list below)	WHT - White (standard) BLK - Black GRY - Grey WST - Whist CUS - Custom Colour (please specify)	ATD - Automatic Test Self-Diagnostics	
	12- 12VDC		1SM - One PAR18			TDL* - Time Delay Retransfer	
	24- 24VDC		2SM - Two PAR18			LPD - Lamp Disconnect	
			1LG - One PAR36			BTD - Battery Disconnect	
			2LG - Two PAR36			VL - Voltmeter	
			1MD - One MR16			AMP - Ammeter	
			2MD - Two MR16			ACT - AC Terminal Block	
			1MB - One MR16			DCT - DC Terminal Block	
			2MB - Two MR16			FS4 - 4 Circuit Fuse Distribution	
						RDS* - Radio Frequency Suppression	

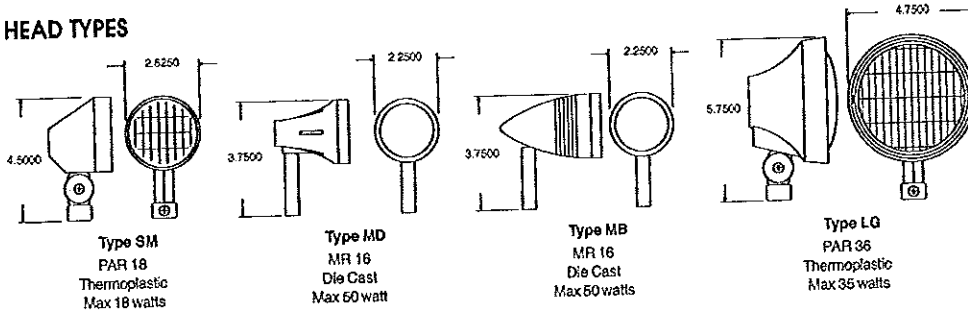
LAMP SELECTION

2mw

6 Volts		12 Volts		24 Volts	
PAR18 - Small Heads					
Q	8W, 10W, 12W	8W, 10W, 12W	9W		
T	7.2W, 9W	5.4W, 9W, 18W	9W, 18W		
MR16 - Small Heads w/ MR16 Lamp					
Q	8W, 10W, 12W, 20W, 35W, 50W	8W, 10W, 12W, 20W, 35W, 60W	12W, 20W, 35W, 60W		
PAR36 - Large Heads					
Q	8W, 10W, 12W, 20W	8W, 10W, 12W, 20W, 35W	12W, 20W, 50W, 70W		
T	7.2W, 9W, 18W, 25W	5.4W, 9W, 18W, 25W	9W, 18W		
SB Q	8W, 12W, 20W	8W, 1W, 30W, 35W, 55W	N/A		
SB T	8W, 9W, 12W, 18W, 30W	12W, 18W, 25W	N/A		

NOTE: Due to cabinet/space limitations, not all options are available for all models in any given combination. Please consult with your factory representative regarding specific options and exact cabinet dimension information.

HEAD TYPES



MODEL RATINGS (Watts to 87.5% of battery voltage/hours)

Model	Voltage	Wattage capacities				
		30 min.	60 min.	90 min.	120 min.	
EBST-06018	6VDC	18	9	N/A	N/A	A
EBST-06036	6VDC	36	18	12	9	A
EBST-06050	6VDC	50	25	16	12	A
EBST-06072	6VDC	72	36	24	18	A
EBST-06100	6VDC	100	50	33	25	B
EBST-06160	6VDC	160	80	53	40	C
EBST-06180	6VDC	180	90	60	45	C
EBST-12036	12VDC	36	18	12	9	A
EBST-12050	12VDC	50	25	16	12	A
EBST-12072	12VDC	72	36	24	18	A
EBST-12100	12VDC	100	50	33	25	B
EBST-12160	12VDC	160	80	53	40	C
EBST-12200	12VDC	200	100	66	50	C
EBST-12250	12VDC	250	125	83	62	D
EBST-12360	12VDC	360	180	120	90	D
EBST-24144	24VDC	144	72	48	36	C
EBST-24200	24VDC	200	100	66	50	C
EBST-24320	24VDC	320	160	106	80	D
EBST-24350	24VDC	350	175	116	87	E
EBST-24550	24VDC	550	275	183	137	E
EBST-24720	24VDC	720	360	240	180	E

Battery units Commercial, architectural



Wesco Distribution – Canada, Inc.
1099 King Edward Street
Winnipeg, MB R3H 0R3
Phone: (204) 633-3000.

Wescan Electrical
C/o Rapid Transit Corridor

PO:E779-104222

10 – Aimlite
RMQV2 20WQ

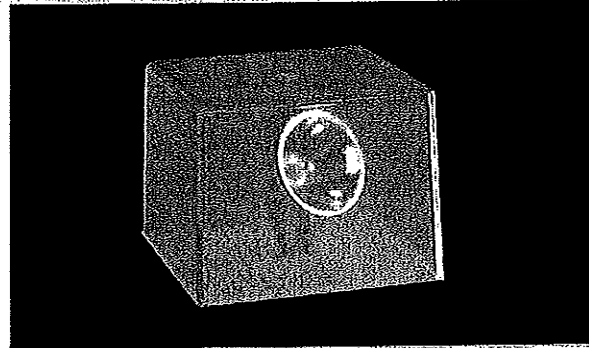
RMQV

Project: _____
Contractor: _____

AimLite

VANDAL REMOTE

- Single Lexan Cube
- Internal PAR18 Assembly
- 6V, 12V, & 24V Lamps in Quartz Halogen



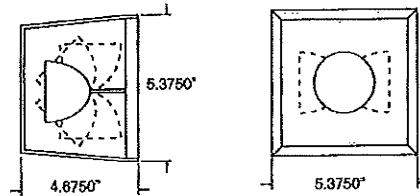
DESCRIPTION

The RMQV series of vandal resistant remotes provide reliable emergency lighting in applications typically prone to abuse and tampering. The internal, fully adjustable, single or double PAR18 lamp assembly is completely shielded by the heavy-duty Lexan cube. The one-piece, molded cube is internally finished with an anti-glare texturing. A steel mounting plate provides a solid base for the entire fixture. Available in 6V, 12V and 24V models, utilizing quartz halogen (bi-pin based) lamps.

MECHANICAL

- Heavy-duty, one piece, molded Lexan cube lamp assembly shields
- Upto two PAR18 small style, lamp assemblies per cube in a variety of lamp wattages
- Each individual lamp assembly is fully adjustable and aimable
- 20 Gauge steel mounting plate c/w stamped universal spider knockout pattern
- Mounting plate - white powder coat finish standard, other colours optional
- Variety of lamp options:
 - 6VDC, 12VDC or 24VDC
 - Quartz halogen lamps - bi-pin based

DIMENSIONS



LAMP SELECTION

	6 Volts	12 Volts	24 Volts
PAR18 - Small Heads			
Q	8W, 10W, 12W	6W, 10W, 12W	12W
T	7.2W, 9W	5.4W, 9W, 18W	9W, 18W
MR16 - Small Heads c/w MR16 Lamp			
Q/MR16	8W, 10W, 12W, 20W	8W, 10W, 12W, 20W	12W, 20W

Q = Quartz Halogen T = Tungsten Q/MR16 = Quartz MR16

ORDERING GUIDE

RMQV 2 ²⁴/₂ 20WQ

Series	Number	Voltage	Lamp(s)	Colour	Options
RMQV	1 - Single Lamp Assembly 2 - Double Lamp Assemblies	06 - 6 VDC 12 - 12 VDC 24 - 24VDC	(See lamp selection chart above)	WHT - White (standard) BLK - Black	WRG - Steel Wireguard VDR - Vandal Resistant Screws

Remote Heads Industrial



WESCO
DISTRIBUTION

Wesco Distribution – Canada, Inc.
1099 King Edward Street
Winnipeg, MB R3H 0R3
Phone: (204) 633-3000.

Wescan Electrical
C/o Rapid Transit Corridor

PO:E779-104222

1 – Aimlite
EBST12 360 2MW20WQ
WHT

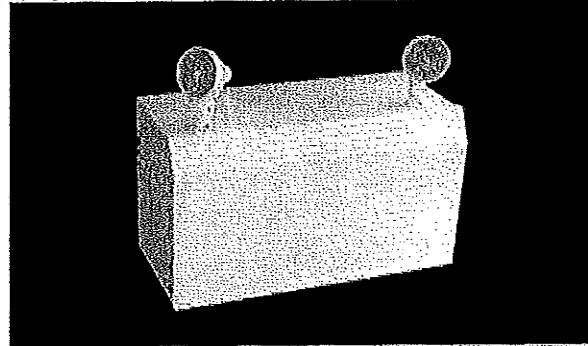
EBST

Project: _____
Contractor: _____

AimLite

STEEL BATTERY UNIT

- 6V, 12V or 24V Models
- 18-720 Watt Capacities
- Steel Construction
- 120/347VAC Input



DESCRIPTION

The EBST series of commercial steel battery units are designed to provide efficient and reliable emergency lighting. Utilizing a sturdy, all steel housing, the EBST presents a modern and unobtrusive design. On higher capacity models, the cabinet front is sloped to allow better internal access and superior low angle light distribution. The EBST series is available in 6VDC, 12VDC and 24VDC versions in a range of wattage capacities between 18 and 720 watts, for 30 minutes duration. Units are typically supplied with two top mounted PAR18 or PAR36 type heads, however a wide range of head type, number and placement are available including MR16 type. The EBST can also accommodate a wide variety of options, including auto-testing self-diagnostics and remote testing.

MECHANICAL

- 120VAC line cord supplied standard
- Universal spider knockout pattern and keyhole mounting slots stamped into back of cabinet
- Multiple conduit entry knockouts
- White powder coat finish standard, other finishes and colours optional
- Lamp heads include PAR18 small style, PAR36 large style and die cast metal MR16 type
- Top head mounting is standard, side mount is optional

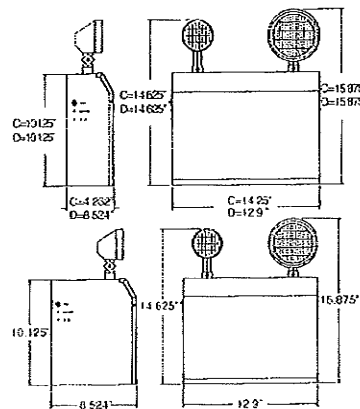
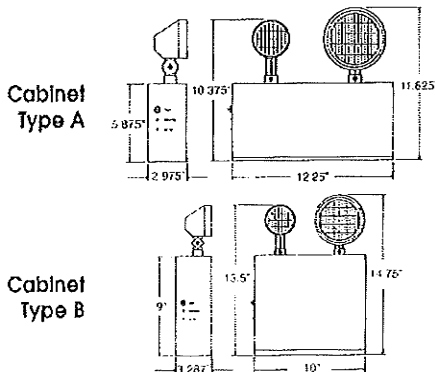
ELECTRICAL

- 120/347VAC 60Hz Input, field selectable
- High efficiency, rapid recovery, precision control charging system
- 6VDC, 12VDC or 24VDC emergency power output versions (as specified)
- Wattage capacities from 18 to 720 watts
- 30 Minutes emergency power duration standard
- Momentary push button test switch
- Diagnostic/pilot LEDs for AC ON and CHARGE
- Fully automatic, current limited charger
- Line latched, low voltage protection
- Solid state design and construction
- Brownout and short circuit protection
- Temperature compensated
- Large magnum terminal screw type connectors for remote load connection
- Complete battery recharge in 24 hours
- Maintenance free, sealed lead acid battery
- Optional automatic-testing, self-diagnostic charger board:
 - Continuously monitors the operational status of the battery unit
 - Automatically performs battery and lamp load testing at preset intervals
 - Indicates any component malfunctions or automated test failures

APPROVALS

- CSA C22.2 No. 141 Performance Certified

DIMENSIONS



Battery units Commercial, architectural

24 550

ORDERING GUIDE

EBST 12 360 2MW20WQ WHT

Series	Voltage	Capacity	Head No. & Type	Lamp	Colour	Options	* Specify AC input voltage
EBST	08- 6VDC	(See model ratings table below)	0 - No Heads	(See lamp list below)	WHT - White (standard)	ATD - Automatic Test Self-Diagnostics	
	12- 12VDC		1SM - One PAR18		BLK - Black	TDL* - Time Delay Retransfer	
	24- 24VDC		2SM - Two PAR18		GRY - Grey	LPD - Lamp Disconnect	
			1LG - One PAR36		WST - Whist	BTD - Battery Disconnect	
			2LG - Two PAR36		CUS - Custom Colour (please specify)	VL7 - Voltmeter	
			1MD - One MR16			AMP - Ammeter	
			2MD - Two MR16			ACT - AC Terminal Block	
	1MB - One MR16		DCT - DC Terminal Block				
	2MB - Two MR16		FS4 - 4 Circuit Fuse Distribution				
			RDS* - Radio Frequency Suppression				
			NLC - No Line Cord (Electrical Box Mount)				
			TLP - Twist Lock Plug (Specify Voltage/Type)				
			CAB - Remote Load Cabfire Set				
			VDR - Vandal Resistant Screws				
			MTS - Mounting Shelf				
			WRG - Steel Wireguard				
			IRT - Infra-red test				
			IRC - Hand Held Controller				

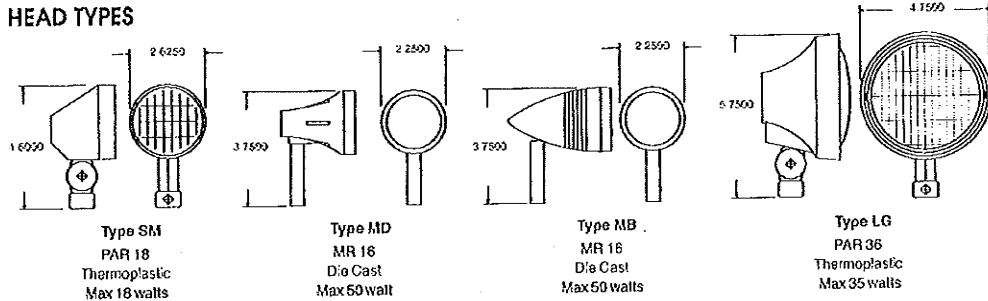
LAMP SELECTION

	6 Volts	12 Volts	24 Volts
PAR18 - Small Heads			
Q	8W, 10W, 12W	8W, 10W, 12W	9W
T	7.2W, 9W	5.4W, 9W, 18W	9W, 18W
MR16 - Small Heads c/w MR16 Lamp			
Q	8W, 10W, 12W, 20W, 35W, 50W	8W, 10W, 12W, 20W, 35W, 50W	12W, 20W, 35W, 50W
PAR36 - Large Heads			
Q	6W, 10W, 12W, 20W	8W, 10W, 12W, 20W, 35W	12W, 20W, 50W, 70W
T	7.2W, 9W, 18W, 25W	5.4W, 9W, 18W, 25W	9W, 18W
SB Q	8W, 12W, 20W	8W, 11W, 30W, 35W, 55W	N/A
SB T	8W, 9W, 12W, 18W, 30W	12W, 18W, 25W	N/A

NOTE: Due to cabinet/space limitations, not all options are available for all models in any given combination. Please consult with your factory representative regarding specific options and exact cabinet dimension information.

Q = Quartz Halogen T = Tungsten SB = Sealed Beam

HEAD TYPES



MODEL RATINGS (Watts to 87.5% of battery voltage/hours)

Model	Voltage	Wallage capacities				
		30 min.	60 min.	90 min.	120 min.	
EBST-06018	6VDC	18	9	N/A	N/A	A
EBST-06036	6VDC	36	18	12	9	A
EBST-06050	6VDC	50	25	16	12	A
EBST-06072	6VDC	72	36	24	18	A
EBST-06100	6VDC	100	50	33	25	B
EBST-06160	6VDC	160	80	53	40	C
EBST-06180	6VDC	180	90	60	45	C
EBST-12036	12VDC	36	18	12	9	A
EBST-12050	12VDC	50	25	16	12	A
EBST-12072	12VDC	72	36	24	18	A
EBST-12100	12VDC	100	50	33	25	B
EBST-12160	12VDC	160	80	53	40	C
EBST-12200	12VDC	200	100	66	50	C
EBST-12250	12VDC	250	125	83	62	C
EBST-12360	12VDC	360	180	120	90	D
EBST-24144	24VDC	144	72	48	36	C
EBST-24200	24VDC	200	100	66	50	C
EBST-24320	24VDC	320	160	106	80	D
EBST-24350	24VDC	350	175	116	87	E
EBST-24550	24VDC	550	275	183	137	E
EBST-24720	24VDC	720	360	240	180	E

11x2x20w
= 440w x2
(60 minutes)

(2x)

Battery units Commercial architectural